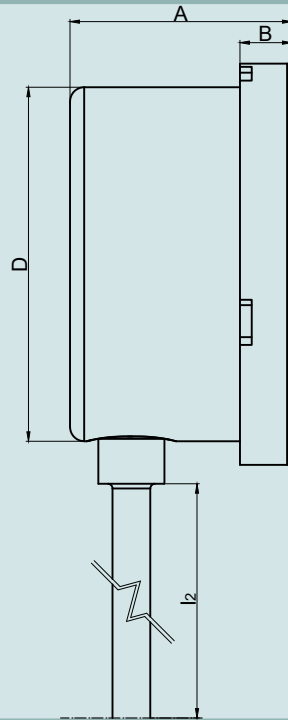
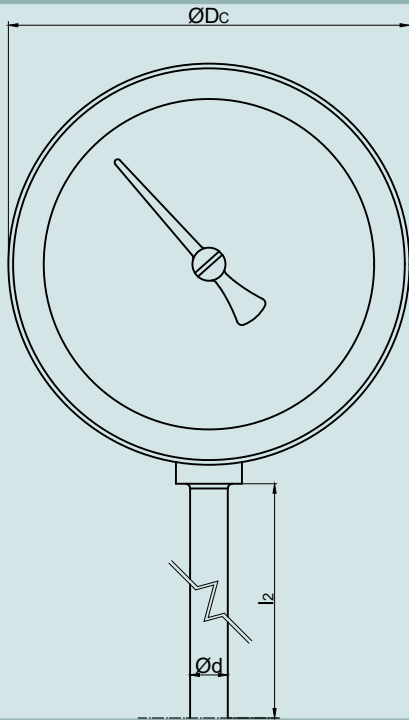
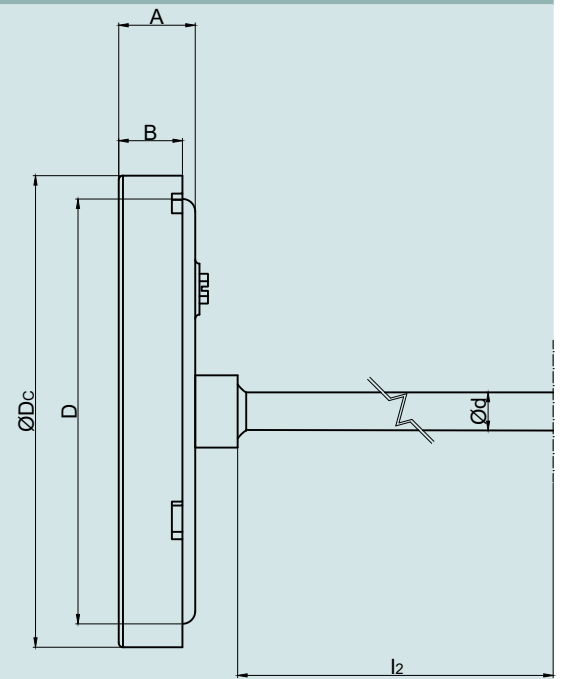


ANALOGIC THERMOMETER

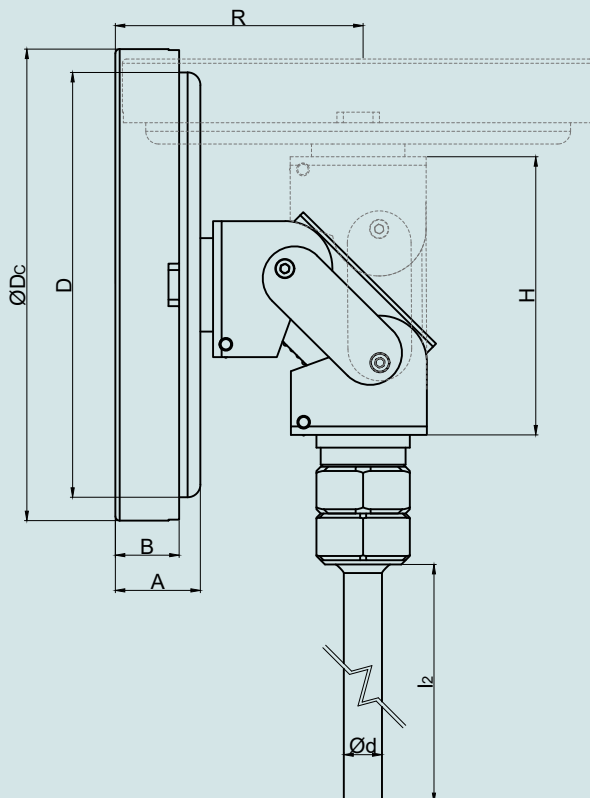
Bottom Connection



Back connection



Every angle Connection



DN80	Dimensions in mm				
	ØD _c	A	B	D	R
Radial	84	46,5	11	75	-
Back	84	19	11,5	74,5	-
Every angle	84	19	11,5	74,5	55
DN100	Dimensions in mm				
	ØD _c	A	B	D	R
Radial	111	18	16,5	100	-
Back	111	18	16,5	100	-
Every angle	111	20	16,5	100	60
DN150	Dimensions in mm				
	ØD _c	A	B	D	R
Radial	161	50,5	18	150	-
Back	161	21	18	149	-
Every angle	161	21	18	149	70

- ØD_c Case diameter
- A Radial thermometer case thickness
- B Back thermometer case thickness
- D Inner case diameter
- H Every angle connection size = 60 mm
- R Distance between case and rotation center
- l₂ Thermometer stem length
- Ød Thermometer stem diameter = 6; 8; 9 mm